

Product Data Sheet

SimpliFlow™

The SimpliFlow™ is the revolutionary powder hopper engineered to ensure precise and stable powder delivery to your process.

The hopper fits to the PF Tech powder feeder range and can also be easily fitted to your existing volumetric powder feeder.

It is designed for Thermal Spray, Laser Cladding, PTA and Additive processes.

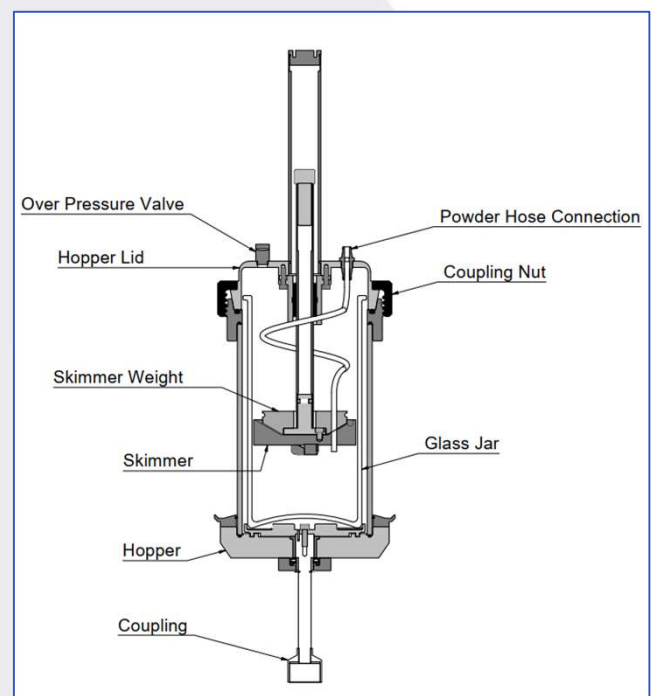


3.0 Liter

Assembly

The SimpliFlow consists of the following main components:

- ❑ Hopper body, lid and coupling nut
- ❑ Skimmer disc, for precise pick up of the powder
- ❑ Motor drive coupling to provide rotation to the glass jar



Product Data Sheet

SimpliFlow™

The SimpliFlow™ Difference

- ❑ Precise stable feeding at low to high feed rates, pulsation free
- ❑ Accepts very wide powder particle size range, fine to coarse and blends.
- ❑ Easily feeds freely-flowing and non-freely flowing powders
- ❑ 3.0L canister for extended production runs
- ❑ Fits to your existing standard volumetric rotary powder feeder
- ❑ Only one wear part, no stirrers, dampers, spreaders/suction pieces or powder discs required
- ❑ Strip and clean in only a few minutes, saving several hours per week
- ❑ The skimmer is quickly replaceable via simple system
- ❑ Powder is taken from the top rather than the bottom, eliminating powder compaction
- ❑ Foreign particles in the powder do not influence feed stability
- ❑ Suitable for thermal spray, laser cladding processes and power-fed additive manufacturing process
- ❑ Rated to 7bar
- ❑ The inner glass jar acts as powder storage container, supplied with lid and evacuation valve
- ❑ Allows for safe powder handling
- ❑ Cleaning and filling of the inner glass canister can be achieved remotely in a vented room or box



PF Tech

Product Data Sheet

SimpliFlow™

Spray Powders	
Particle Size	5 – 800 um
Feed Rate	0.1 – X
Precision	+/- 1g %
Weight (empty)	
3 Liter	12 kg
Environment	
Temperature	+10 - +40 deg C
Humidity	<75%

